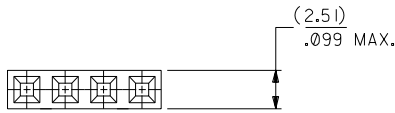


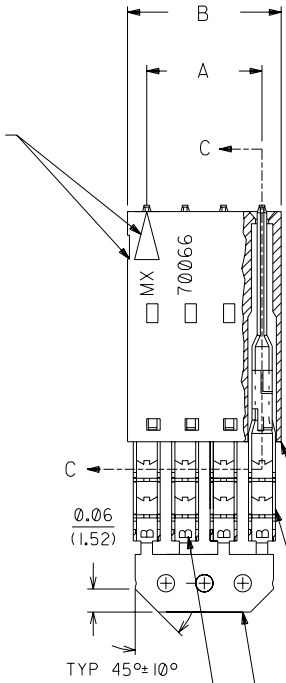
OPTION A

NOTES:

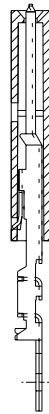
- 1) TO BE USED WITH (26) AWG. STRANDED WIRE WITH (1.35)/.053 DIA. MAX. INSULATION.
- 2) SEE CHART FOR CIRCUIT SIZES.
- 3) STANDARD PACKAGING PER PK-70873-0001. OPTIONAL PACKAGING MAY BE AVAILABLE, REQUEST DWG. PK-70475.
- 4) PARTS STACKABLE END TO END AND SIDE BY SIDE ON (2.54)/.100 CENTERS.
- 5) REFER TO PRODUCT SPECIFICATION: PS-70475.
- 6) SEE DWG. SDA-70475-***** (SHT.3) FOR OPTIONAL HOUSING DETAILS.
- 7) 4 CIRCUIT SHOWN.
- 8) MATES WITH (2.54)/.100 CENTER SINGLE OR DUAL-ROW FEMALE CONNECTORS.
- 9) 2 CIRCUIT ASSEMBLIES SUPPLIED AS GROUPED PAIRS.



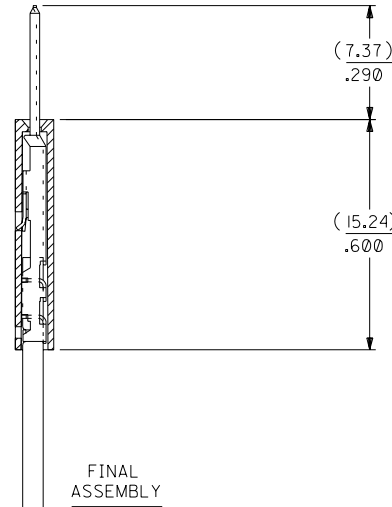
CIRCUIT NO. 1 IDENTIFICATION SLOT OR ARROW



SECTION C-C



PRE-LOADED ASSEMBLY



FINAL ASSEMBLY

WIRE (SEE NOTE 1)

HOUSING PART NO. 70066-*****
MATERIAL: G.F. POLYESTER, 94V-0

TERMINAL PART NO. 70110-*****
MATERIAL: PHOSPHOR BRONZE
PLATING PER ES-88-***

TIN - .000150 MINIMUM TIN OVER
.000050 MINIMUM NICKEL PLATE.

*THE PRIMARY SHIPPING CARTON WILL BE LABELED "COMPLIANT TO RoHS DIRECTIVE 2002/95/EC AND ELV ANNEX II OF DIRECTIVE 2000/53/EC". CARTONS WITHOUT THIS LABEL MAY CONTAIN PRODUCT WITH LEAD.

I.D. SLOT CODE TO WIRE GAUGE CHART	
I.D. SLOT CODE	WIRE GAUGE
B	26 AWG.

PLATING CODE (STRIPE ON CARRIER STRIP)	
PLATING	COLOR
TIN	NONE

CKT. SIZE	DIMENSIONS (INCH)		EDP. NO.	ENG. NO.
	A	B		
2	(2.54) .100	(5.05) .199	14-45-0402	A-70475-0176
3	(5.08) .200	(7.59) .299	14-45-0403	A-70475-0177
4	(7.62) .300	(10.13) .399	14-45-0404	A-70475-0178
5	(10.16) .400	(12.67) .499	14-45-0405	A-70475-0179
6	(12.70) .500	(15.21) .599	14-45-0406	A-70475-0180
7	(15.24) .600	(17.75) .699	14-45-0407	A-70475-0181
8	(17.78) .700	(20.29) .799	14-45-0408	A-70475-0182
9	(20.32) .800	(22.83) .899	14-45-0409	A-70475-0183
10	(22.86) .900	(25.37) .999	14-45-0410	A-70475-0184
11	(25.54) 1.000	(27.91) 1.099	14-45-0411	A-70475-0185
12	(27.94) 1.100	(30.45) 1.199	14-45-0412	A-70475-0186
13	(30.48) 1.200	(32.99) 1.299	14-45-0413	A-70475-0187
14	(33.02) 1.300	(35.53) 1.399	14-45-0414	A-70475-0188
15	(35.56) 1.400	(38.07) 1.499	14-45-0415	A-70475-0189
16	(38.01) 1.500	(40.61) 1.599	14-45-0416	A-70475-0190
17	(40.64) 1.600	(43.15) 1.699	14-45-0417	A-70475-0191
18	(43.18) 1.700	(45.69) 1.799	14-45-0418	A-70475-0192
19	(45.72) 1.800	(48.23) 1.899	14-45-0419	A-70475-0193
20	(48.26) 1.900	(50.77) 1.999	14-45-0420	A-70475-0194
21	(50.80) 2.000	(53.31) 2.099	14-45-0421	A-70475-0195
22	(53.34) 2.100	(55.85) 2.199	14-45-0422	A-70475-0196
23	(55.88) 2.200	(58.39) 2.299	14-45-0423	A-70475-0197
24	(58.42) 2.300	(60.93) 2.399	14-45-0424	A-70475-0198
25	(60.96) 2.400	(63.47) 2.499	14-45-0425	A-70475-0199

LTR.	REVISIONS	LTR.	REVISIONS
G	LEAD FREE UCP2004-1769 RWHITE 04/03/24	E	REVISED PER ECR NO. U82124 10-17-88 MGB
FI	ADD CARRIER CHAMF ECN #UDT1998-0280 05/20/98 LMCGRATH	D	REVISE PER ECR #U81370 5/20/88 MJM
F	164 PLATING WAS 102 PER ECR # U31149 08/09/93 REED	C	REDRAWN ON CAD ECR# 8842 5/9/86 W.Z.

DIMENSIONS SHOWN (METRIC) INCH	
UNLESS OTHERWISE SPECIFIED TOLERANCES: ANGULAR ± 1/2°	
3 PLACE ± .010	---
2 PLACE ± .014	± 0.25
1 PLACE ---	± 0.35
DRAWING WHERE APPLICABLE MUST REMAIN WITHIN DIMENSIONS	
DRWG. BY: WAZ	CHK'D. BY: WAZ
APP'D. BY: RL	SCALE: 4 : 1

<input type="checkbox"/> = 0 <input type="checkbox"/> = 0 REVISE ONLY ON CAD SYSTEM	
TITLE: ASSEMBLY, SL CONNECTOR (SINGLE ROW- (2.54)/.100 GRID)	
MOLEX INCORPORATED LITSE,ILL. 60532 U.S.A.	SHEET NO. 1 DATE 10/13/84
PART NO. SDA-70475-0176-0199	DRWG. NO. SDA-70475-0176-0199
FILE NAME: S70475AX2	THIS DRAWING CONTAINS INFORMATION THAT IS PROPRIETARY TO MOLEX INC. AND SHOULD NOT BE USED WITHOUT WRITTEN PERMISSION.

70475

MFG, SH, REV.